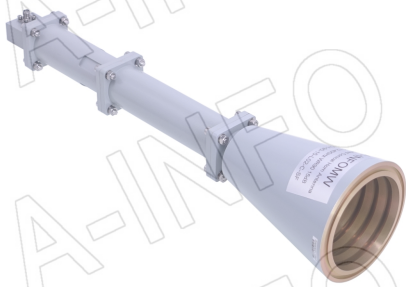


For reference only. See data sheet for the detailed specifications.

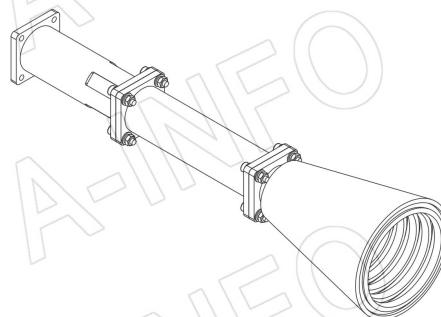
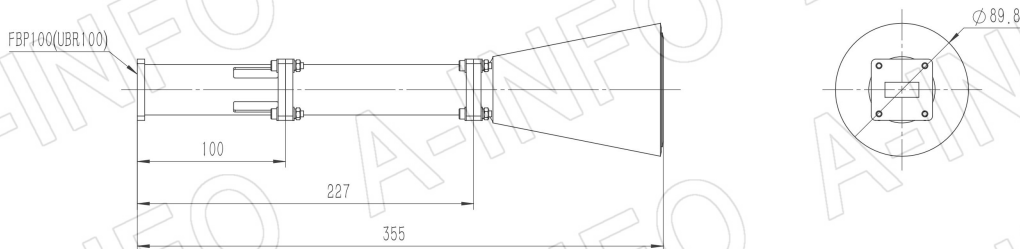
## Technical Specification



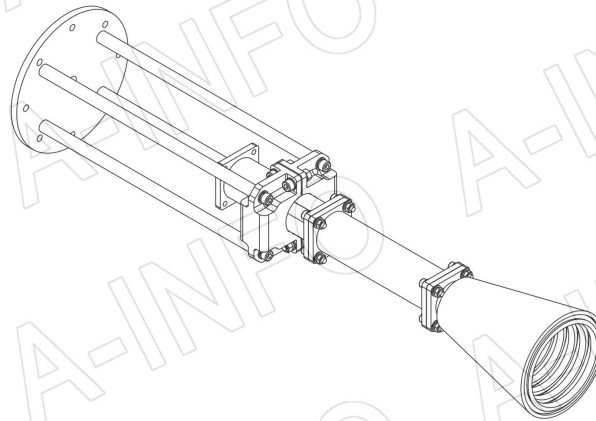
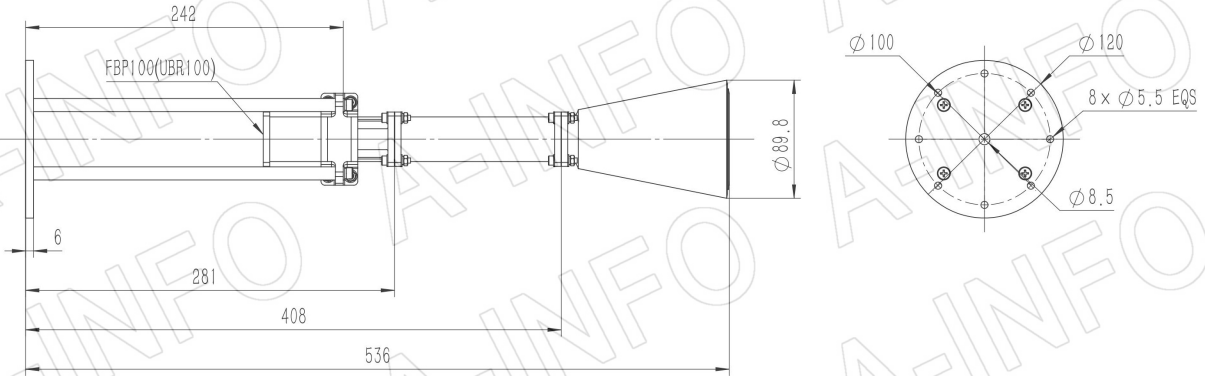
Frequency Range(GHz)	8.2 – 12.4
Waveguide	WR90
Gain(dBic)	15 Typ.
Polarization	RHCP
Axial Ratio(dB)	1.5 Typ. ; 3.5 Max.
3dB Beamwidth(deg)	E Plane: 30 Typ.
	H Plane: 30 Typ.
VSWR	A Type: 1.15:1 Typ.
	C Type: 1.25:1 Typ.
Output	A Type: FBP100(UBR100)
	C Type: SMA-Female or N-Female or TNC-Female or 7mm or 3.5mm-Female
Material	Al
Finish	Chemical Conversion Coating, Gray Paint
Size(mm)	A Type: 89.8 x 89.8 x 355
	C Type: 89.8 x 89.8 x 393
Net Weight(Kg)	A Type: 0.76 Around
	C Type: 0.82 Around

## Outline Drawing (Size: mm)

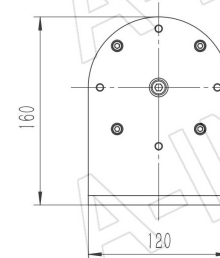
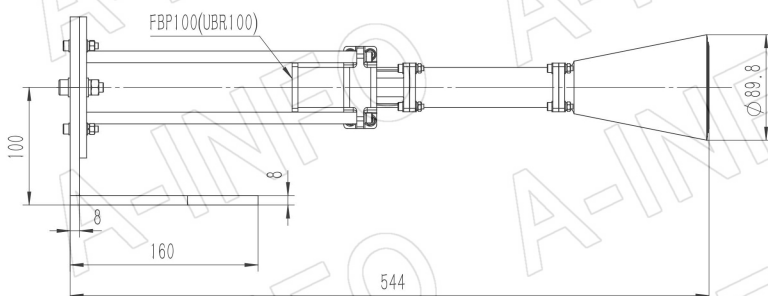
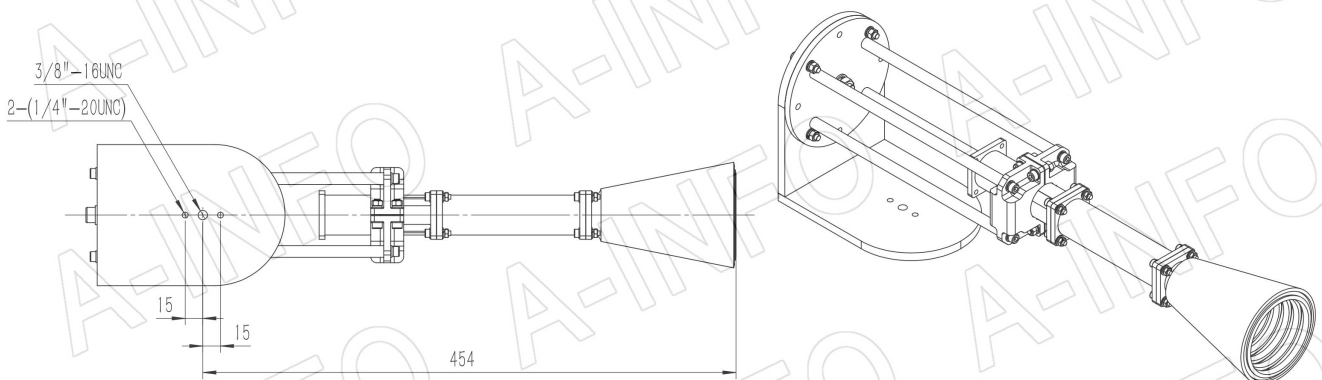
FBP100 Output (P/N: LB-CH-90-15-R02-A)



FBP100 Output with Round Mounting Bracket (Option, P/N: LB-CNH-90-10-MB)

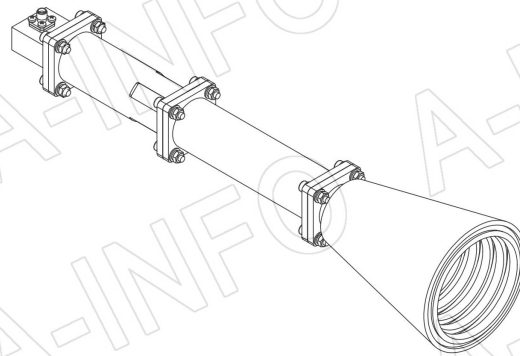
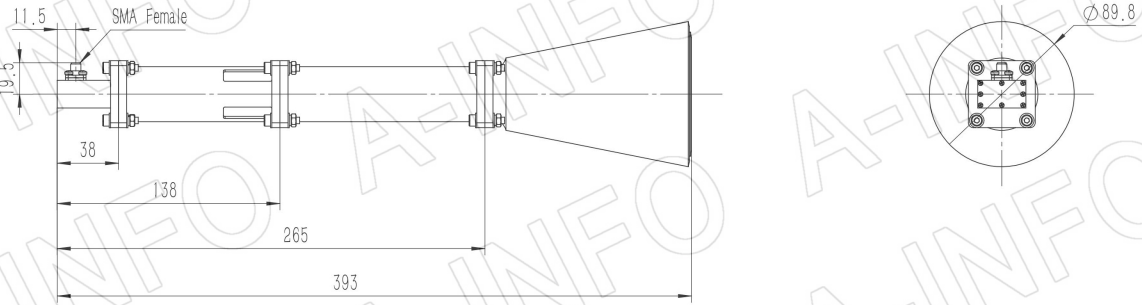


FBP100 Output with L Type Mounting Bracket (Option, P/N: LB-CNH-90-10-MBL)



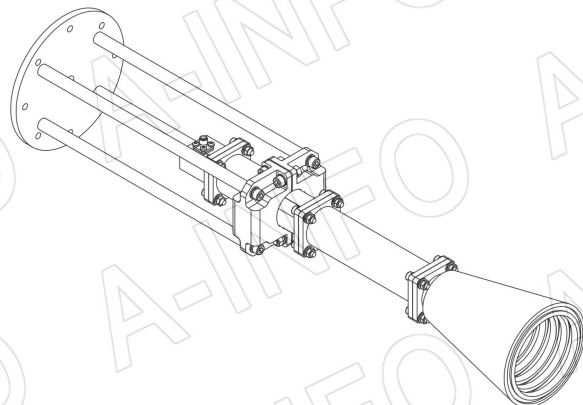
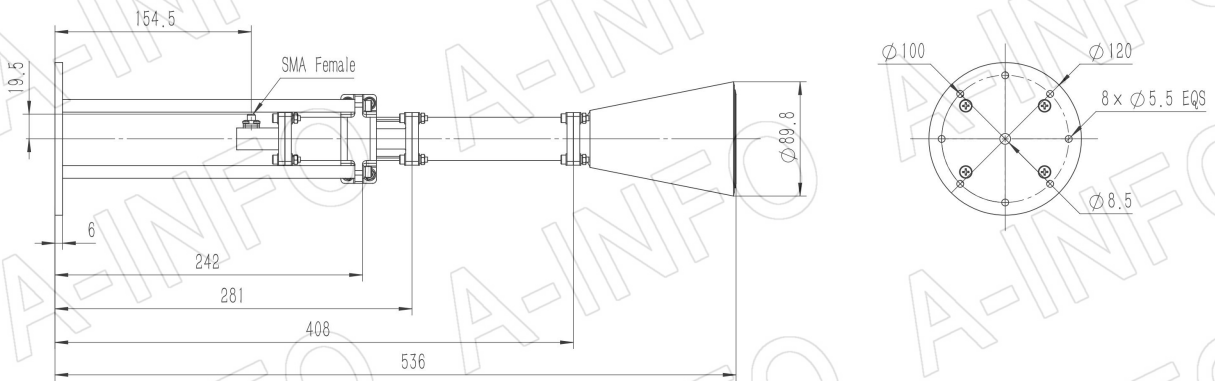
## SMA-Female Output (P/N: LB-CH-90-15-R02-C-SF)

For N-Female, TNC-Female, 7mm or 3.5mm-Female output outline drawing, please contact A-INFO.



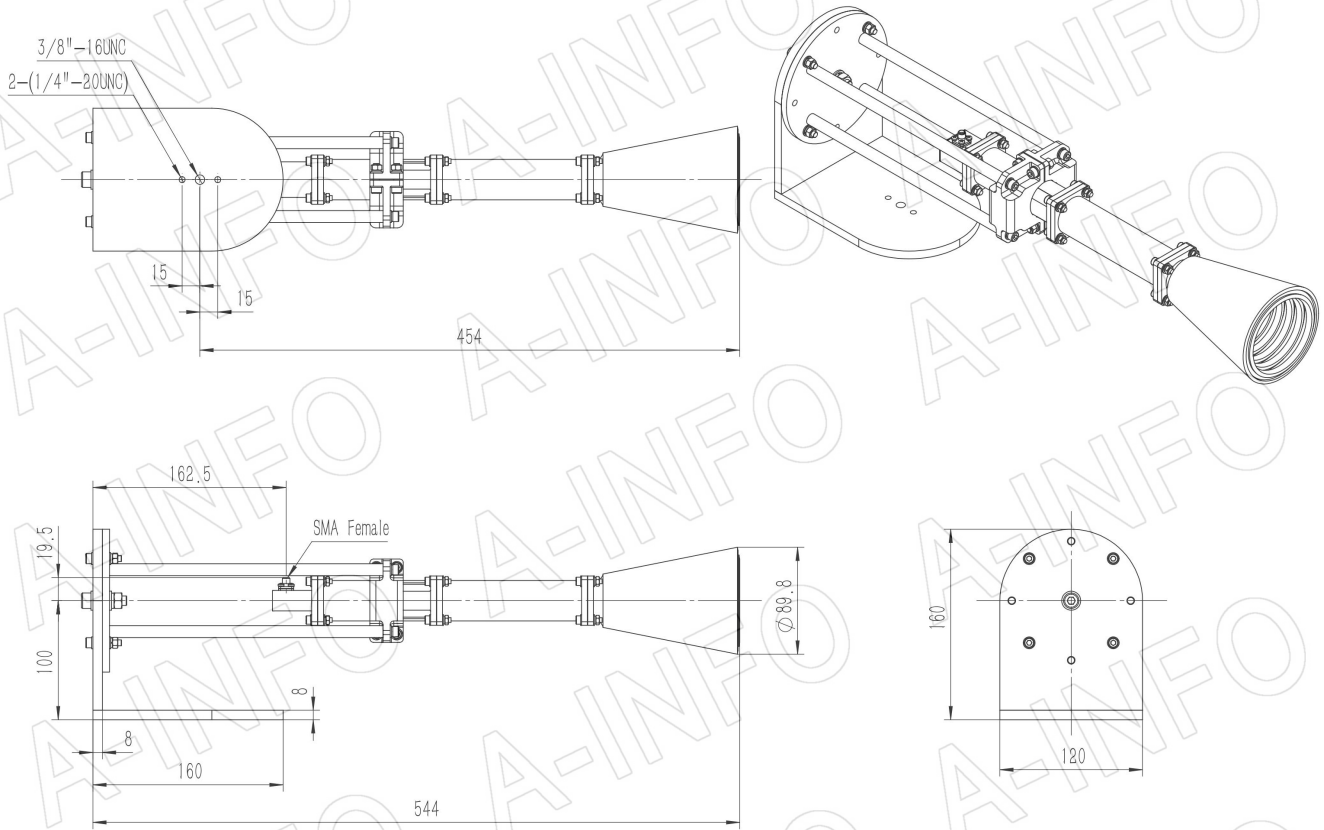
## SMA-Female Output with Round Mounting Bracket (Option, P/N: LB-CNH-90-10-MB)

For N-Female, TNC-Female, 7mm or 3.5mm-Female output outline drawing, please contact A-INFO.



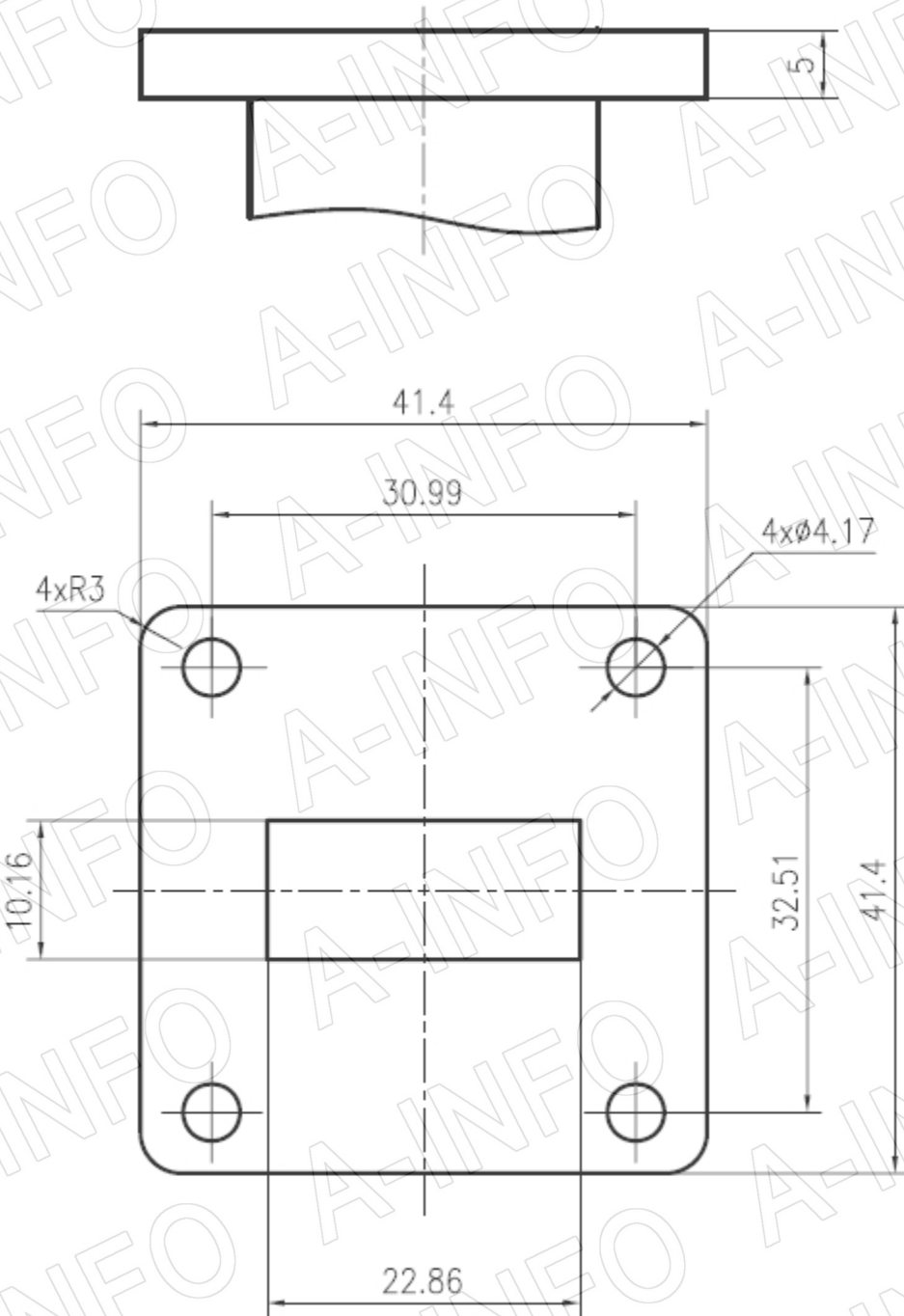
## SMA-Female Output with L Type Mounting Bracket (Option, P/N: LB-CNH-90-10-MBL)

For N-Female, TNC-Female, 7mm or 3.5mm-Female output outline drawing, please contact A-INFO.





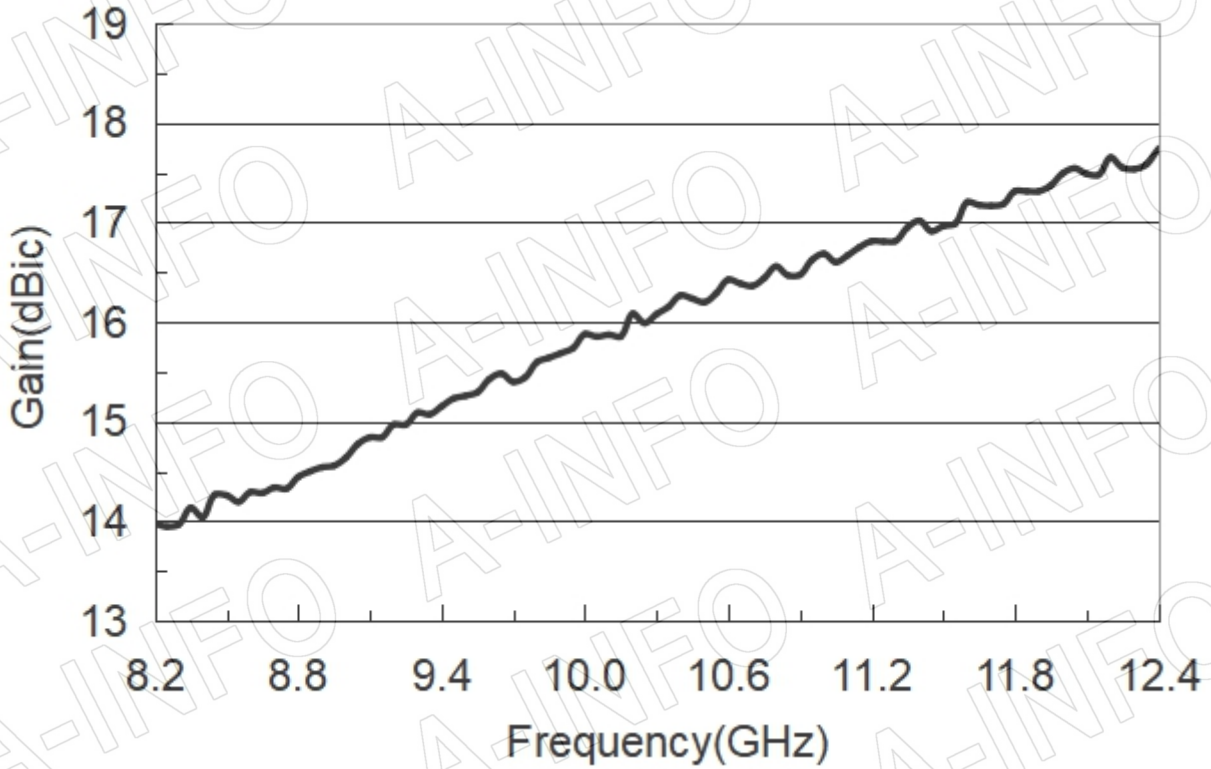
## Flange Drawing (Size: mm)



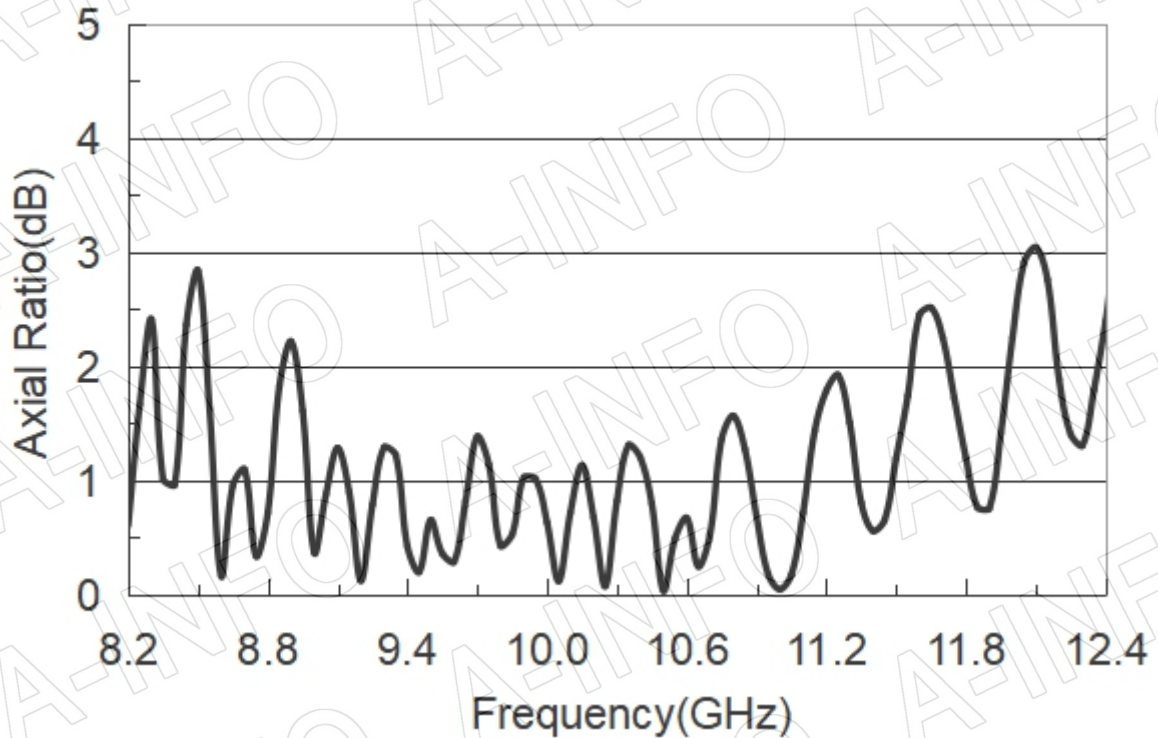
**FBP100**

## Test Results

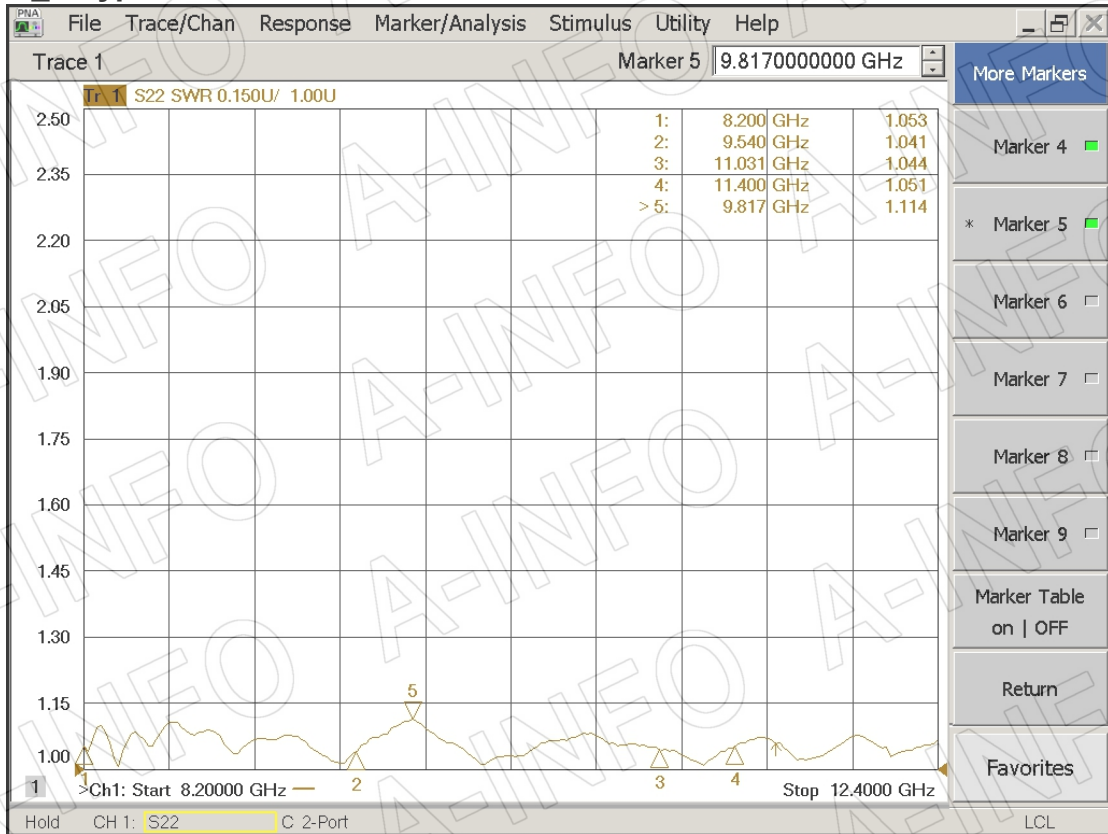
### 1. Gain



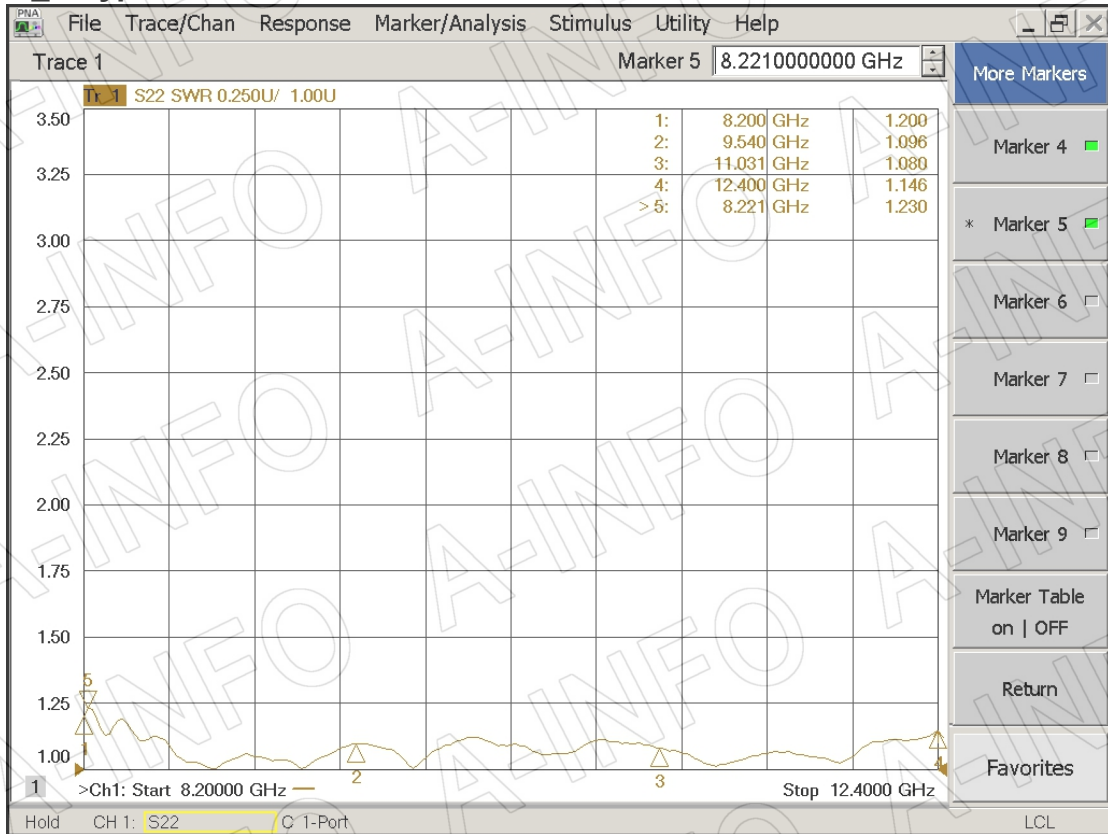
### 2. Axial Ratio



### 3. VSWR\_A Type



### VSWR\_C Type



## 4. Pattern

